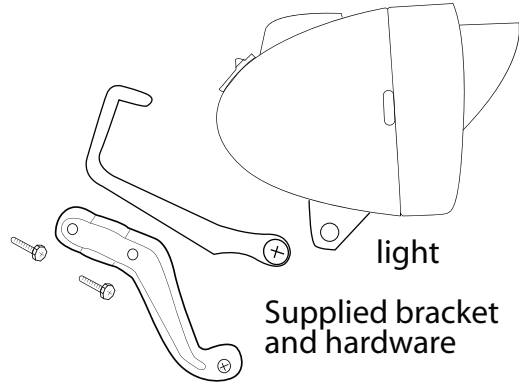




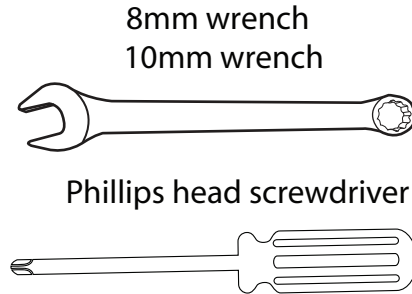
Nirve Vintage Headlight Mounting Instructions

© Sept. 2009 Nirve Sports, Ltd. All rights reserved. 15401 Assembly lane, Huntington Beach, CA 92649 USA 888-296-4783 www.nirve.com

Parts Included

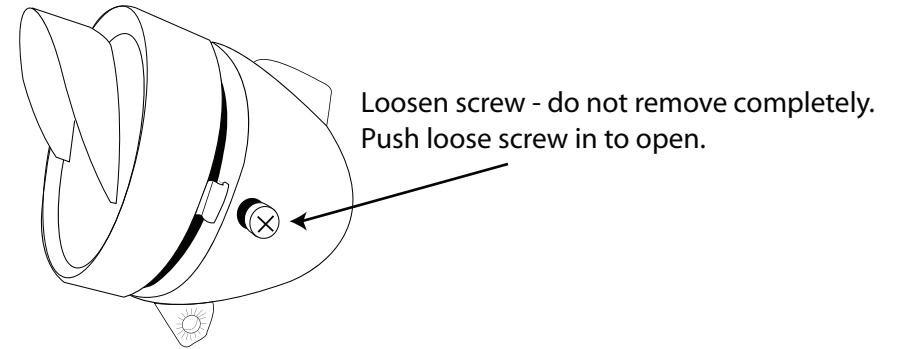


Tools Needed



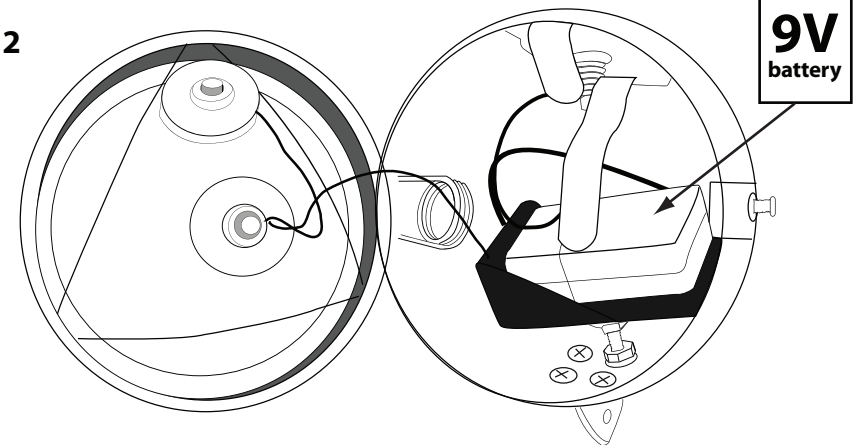
Requires one (1) 9 volt battery (not included)

Step 1



Place battery in bed, behind brass flap

Step 2

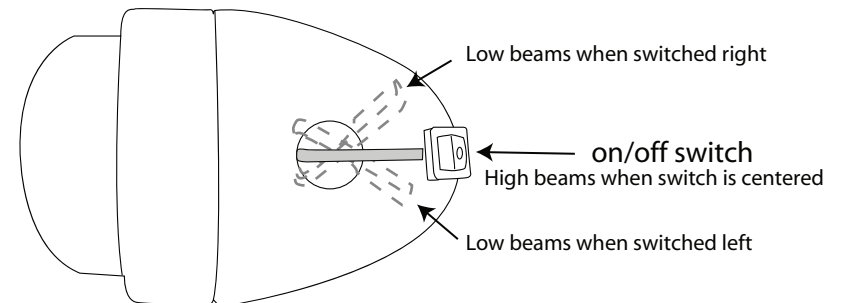
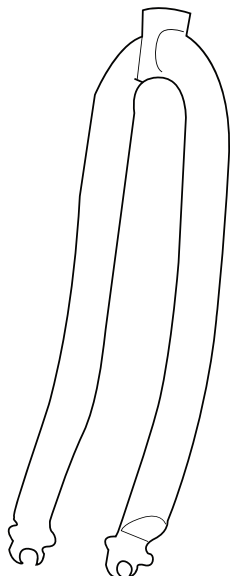
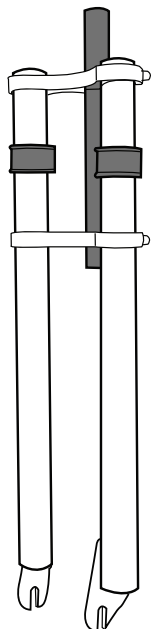


Identify what type of fork is on your bike:

Triple Crown Fork
See **Assembly A**

Rigid Fork
See **Assembly B**

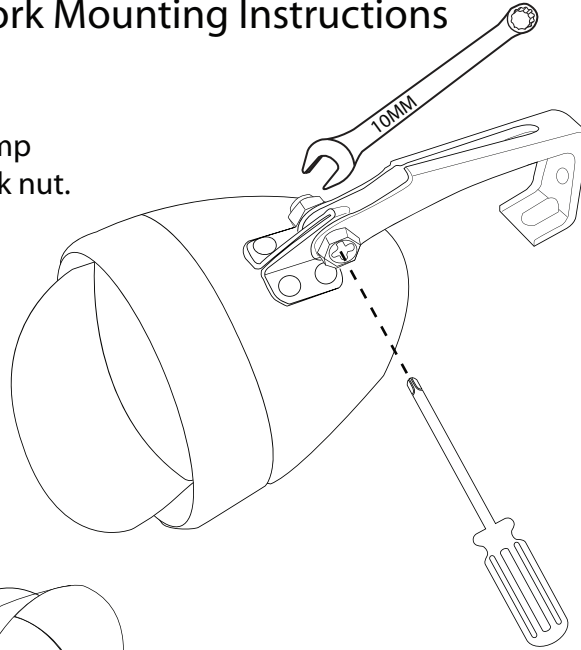
Springer Fork
Consult your local bike shop



A Triple Crown Fork Mounting Instructions

Step 1

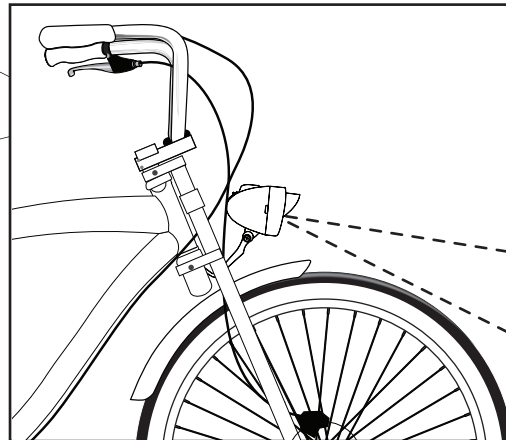
Attach bracket to head lamp
Note: Supplied nut is a lock nut.



Step 2

Remove fender bolt, then replace it going through the head lamp bracket first.

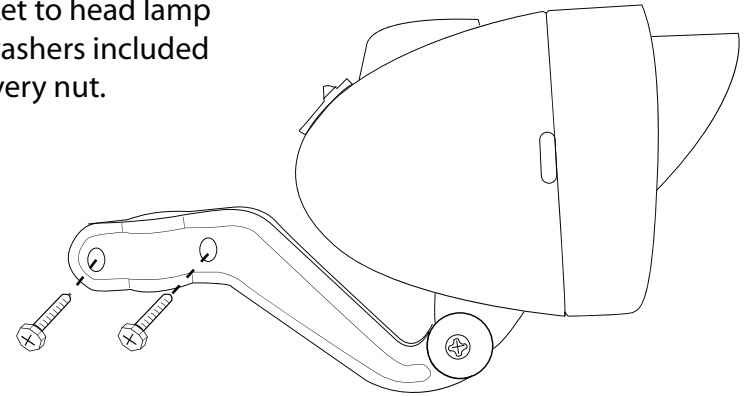
Position the light and tighten all hardware.



B Rigid Fork Mounting Instructions

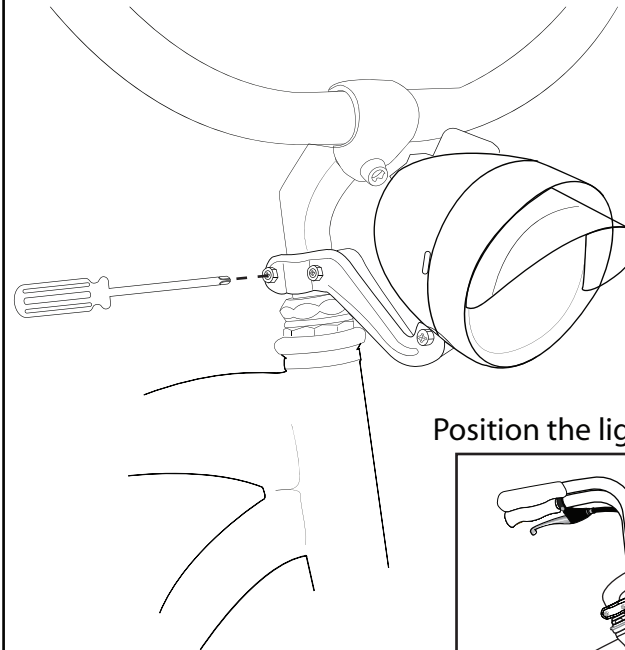
Step 1

Attach bracket to head lamp
Note: Lock washers included with every nut.



Step 2

Attach bracket and head lamp to the stem using the hardware



Position the light and tighten all hardware.

