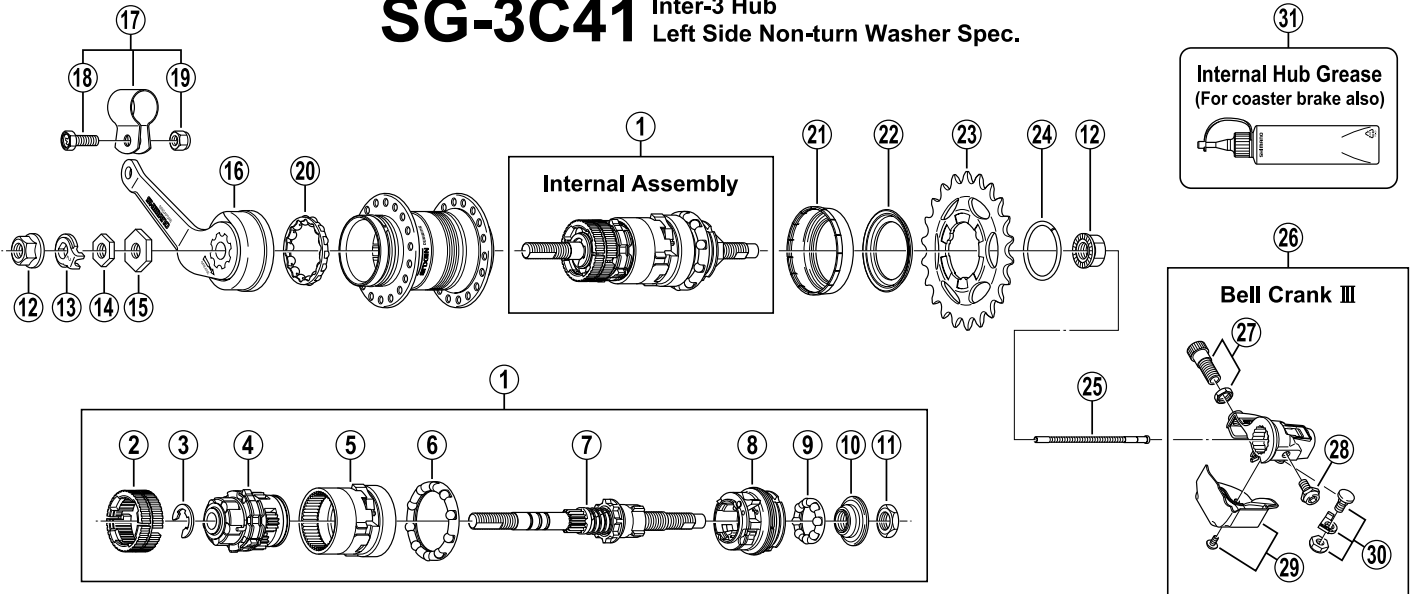


SHIMANO NEXUS 3-SPEED HUB w/Coaster Brake

**SG-3C41** Inter-3 Hub  
Left Side Non-turn Washer Spec.



Q'TY	ITEM NO.	SHIMANO CODE NO.	DESCRIPTION
	1	Y-35U 98010	Internal Assembly (Axle Length 168 mm)
		Y-33R 98020	Internal Assembly (Axle Length 175 mm)
		Y-35U 98020	Internal Assembly (Axle Length 178 mm)
	2	Y-33R 90600	Brake Shoe Unit
	3	Y-325 32000	Stop Ring (φ9 mm)
	4	Y-33R 90700	Carrier Unit
	5	Y-33R 90800	Ring Gear Unit
	6	Y-33R 90220	Ball Retainer K (7/32" x 10)
	7	Y-33R 98050	Axle Unit (Axle Length 168 mm)
		Y-33R 98040	Axle Unit (Axle Length 175 mm)
		Y-35U 98030	Axle Unit (Axle Length 178 mm)
	8	Y-33R 90400	Driver Unit
	9	Y-33R 90210	Ball Retainer J (7/32" x 8)
	10	Y-33R 90500	Right Hand Cone w/Dust Seal
	11	Y-321 39040	Right Hand Lock Nut (4.5 mm) for Axle Length 168 mm / 178 mm
		Y-325 30100	Right Hand Lock Nut (9.9 mm) for Axle Length 175 mm
	12	Y-220 15010	Flange Nut
	13	Y-33Z 20200	Non-turn Washer 2 (Yellow)
	14	Y-33R 49010	Left Hand Lock Nut (3 mm) for Axle Length 168 mm / 178 mm
		Y-33R 49020	Left Hand Lock Nut (5 mm) for Axle Length 175 mm
	15	Y-33R 48010	Stop Nut (3 mm)
	16	Y-35U 98040	Brake Arm Unit
	17	Y-33F 98090	Brake Arm Clip Unit (5/8")
		Y-33F 98100	Brake Arm Clip Unit (3/4")
	18	Y-75M 06000	Clip Screw (M6 x 16)
	19	Y-317 27200	Clip Nut
	20	Y-33R 90200	Ball Retainer L (3/16" x 14)
	23	Y-33R 05000	Right Hand Dust Cap A
		Y-33R 52001	Right Hand Dust Cap B
		Y-322 03200	Sprocket Wheel 16T (Black)
		Y-73T 21830	Sprocket Wheel 18T (Black)
		Y-73T 21930	Sprocket Wheel 19T (Black)
		Y-73T 22030	Sprocket Wheel 20T (Black)
	24	Y-73T 22130	Sprocket Wheel 21T (Black)
		Y-73T 22230	Sprocket Wheel 22T (Black)
	25	Y-73T 22330	Sprocket Wheel 23T (Black)
		Y-321 20010	Snap Ring C
	26	Y-33R 98080	Push Rod (81.85 mm) for Axle Length 168 mm
		Y-33S 98180	Push Rod (86.85 mm) for Axle Length 175 mm / 178 mm
	27	Y-33S 95100	Bell Crank III Unit
	28	Y-33S 98010	Cable Adjusting Bolt & Nut
	29	Y-33S 57000	Bell Crank Body Fixing Bolt
	30	Y-33S 98020	Bell Crank Cover & Fixing Screw
	31	Y-33S 98030	Inner Cable Fixing Bolt Unit
	31	Y-041 20600	Internal Hub Grease (Net. 100g)

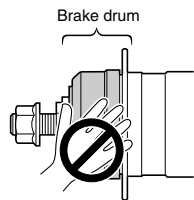
# General Safety Information

## WARNING – To avoid serious injuries:

- It is important to completely understand the operation of your bicycle's brake system. Improper use of your bicycle's brake system may result in a loss of control or an accident, which could lead to severe injury. Because each bicycle may handle differently, be sure to learn the proper braking technique (including bicycle control characteristics) and operation of your bicycle. This can be done by consulting your professional bicycle dealer and the bicycle owner's manual, and by practicing your riding and braking technique.
- When securing the brake arm to the frame, be sure to use a brake arm clip that matches the size of the chainstay, and securely tighten them with the clip screw and clip nut to the specified tightening torque. Use a lock nut with a nylon insert (self-locking nut) for the clip nut. It is recommended that standard Shimano parts be used for the clip screw, clip nut and brake arm clip. In addition, use a brake arm clip that matches the size of the chainstay. If the clip nut comes off the brake arm, or if the clip screw or brake arm clip becomes damaged, the brake arm may rotate on the chainstay and cause the handlebars to jerk suddenly, or the bicycle wheel may lock and the bicycle may fall over, causing serious injury.
- Obtain and read the service instructions carefully prior to installing the parts. Loose, worn, or damaged parts may cause serious injury to the rider. We strongly recommend only using genuine Shimano replacement parts.
- Check that the wheels are fastened securely before riding the bicycle. If the wheels are loose in any way, they may come off the bicycle and serious injury may result.
- Read these Technical Service Instructions carefully, and keep them in a safe place for later reference.

## CAUTION – To avoid serious injuries:

- Avoid continuous application of the brakes when riding down long slopes, as this will cause the internal brake parts to become very hot, and this may weaken braking performance. It may also cause a reduction in the amount of brake grease inside the brake, and this can lead to problems such as abnormally sudden braking.
- Spin the wheel and confirm that the braking force of the coaster brake is correct.
- If the brakes are used frequently, the brake drum may become hot. Do not touch the brake drum for at least 30 minutes after you finish riding the bicycle.



## NOTE:

- Use a wheel with 3x or 4x spoke lacing. Wheels with radial lacing cannot be used because the spokes and the wheel can be damaged when applying the brakes and brake noise can be generated.
- You can shift gears while pedaling, but on rare occasions the pawls and ratchet inside the hub may produce some noise afterwards as part of normal gear shifting operation.
- If the wheel becomes stiff and difficult to turn, you should replace the brake shoes or lubricate with grease.
- Do not apply any lubricant to the inside of the hub, otherwise the grease will come out.
- You should periodically wash the sprockets in a neutral detergent and then lubricate them again. In addition, cleaning the chain with neutral detergent and lubricating it can be an effective way of extending the useful life of the sprockets and the chain.
- If the chain keeps coming off the sprockets during use, replace the sprockets and the chain.
- Parts are not guaranteed against natural wear or deterioration resulting from normal use.
- For maximum performance we highly recommend Shimano lubricants and maintenance products.
- For any questions regarding methods of handling or adjustment, please contact the place of purchase.

SI-35U0C

**SG-3C41**

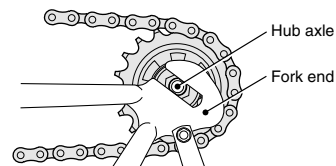
Inter-3 Hub with Coaster Brake

## Technical Service Instructions

Be sure to read these service instructions in conjunction with the service instructions for the Inter-3 shifting lever before use.

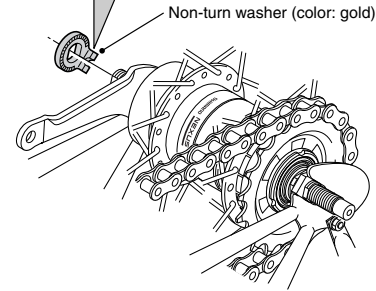
## Installation of the hub to the frame

- Mount the chain onto the sprocket, and then set the hub axle into the fork end.

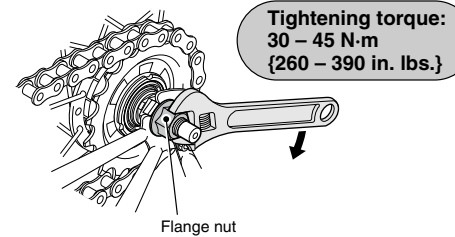


- Place the non-turn washer onto the outside of the left side of the hub axle. At this time, turn the hub axle so that the projection of the non-turn washer fits into the groove of the fork end.

- The projecting part should be on the fork end side.
- Install the non-turn washer so that the projecting part is securely in the fork end groove on either side of the hub axle.

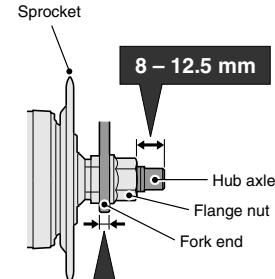


- Screw the flange nuts onto both ends of the hub axle. After this, take up the slack in the chain and then tighten the flange nuts to secure the wheel to the frame.



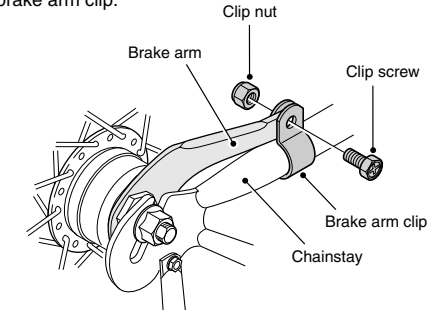
**Tightening torque:**  
30 – 45 N·m  
(260 – 390 in. lbs.)

- Note:** Check that the right end of the hub axle protrudes from the edge of the flange nut by about 8 – 12.5 mm.



**Overall dimensions of fork end, stand and mudguard stay**  
4 – 7.5 mm (axle width 168 mm / 175 mm)  
9 – 12.5 mm (axle width 178 mm)

- Fix the brake arm securely to the chainstay with the brake arm clip.

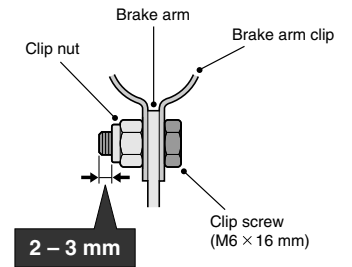


## Note:

- When installing the brake arm clip, securely tighten the clip screw while holding the clip nut with a 10 mm spanner.

**Tightening torque:**  
2 – 3 N·m {17 – 26 in. lbs.}

- After installing the brake arm clip, check that the clip screw protrudes about 2 – 3 mm from the surface of the clip nut.



- Before using the Coaster Brake, check that the brake works properly and that the wheel turns smoothly.

These service instructions explain how to use and maintain the Shimano bicycle parts which have been used on your new bicycle. For any questions regarding your bicycle or other matters which are not related to Shimano parts, please contact the place of purchase or the bicycle manufacturer.

These service instructions are printed on recycled paper. Please note: Specifications are subject to change for improvement without notice. (English)

# SHIMANO

SHIMANO AMERICAN CORPORATION  
One Holland, Irvine, California 92618, U.S.A. Phone: +1-949-951-5003

SHIMANO EUROPE B.V.  
Industrieweg 24, 8071 CT Nunspeet, The Netherlands Phone: +31-341-272222

SHIMANO INC.  
3-77 Oimatsu-cho, Sakai, Osaka 590-8577, Japan